



# Practice Practice Smart. Hard

## Hardware Quick Start Guide

### Getting Started

Use this Quick Start Guide as a basic reference to set up your Tempo® Go system. For complete operation instructions, refer to the *Tempo Go Operating Manual* at [www.coachcomm.com/product/tempo-go/summary/](http://www.coachcomm.com/product/tempo-go/summary/).

**CAUTION:** Allow only responsible individuals who have been properly trained to set up, modify, and/or operate your system. Deploy your Tempo Go system on even ground and beware of potential tipping hazards. Avoid deploying the system when wind speed exceeds 20 mph. Failure to heed these recommendations may result in system damage and personal injury.

For setup and operation assistance, contact CoachComm Customer Support.

CoachComm, LLC  
Voice: 800.749.2761 or 334.321.2300  
Fax: 866.793.SERV (7378) or 334.821.0397  
[customer.service@coachcomm.com](mailto:customer.service@coachcomm.com)

#### 1 Assemble the tripods.

Fully extend the two tripods. (Full extension is when the sliding plastic collar contacts the bolt near the bottom of the center tube.)

Then, place the tripods side by side, aligning the holes in each tripod's Leg 1. Secure with the provided pin as shown in Figure 2.

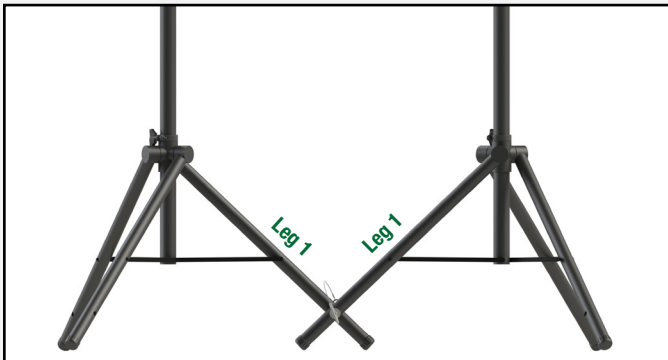


Figure 1: Leg 1 of Each Tripod



Figure 2: Pinned Tripod Legs

## 2 Attach the mounting bracket.

Insert the mounting bracket's two posts into the tops of the tripods. Use two of the provided pins to secure the posts in place as shown in Figure 3.

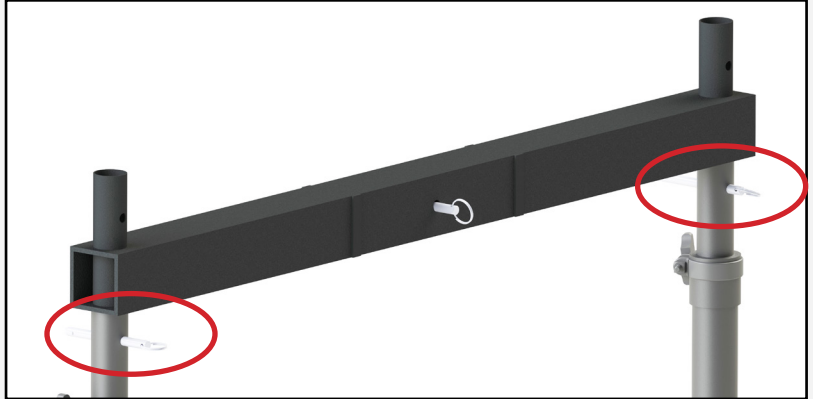


Figure 3: Mounting Bracket Secured to Tripods

## 3 Mount the Control Unit and speakers.

Place the Tempo Control Unit onto the mounting bracket. Be sure to align the holes in the Control Unit mount and bracket. Use one of the provided pins to secure it in place as shown in Figure 4.



Figure 4: Control Unit Secured to Mounting Bracket

Place the two speakers atop the bracket posts on each side of the Control Unit as shown in Figure 5.

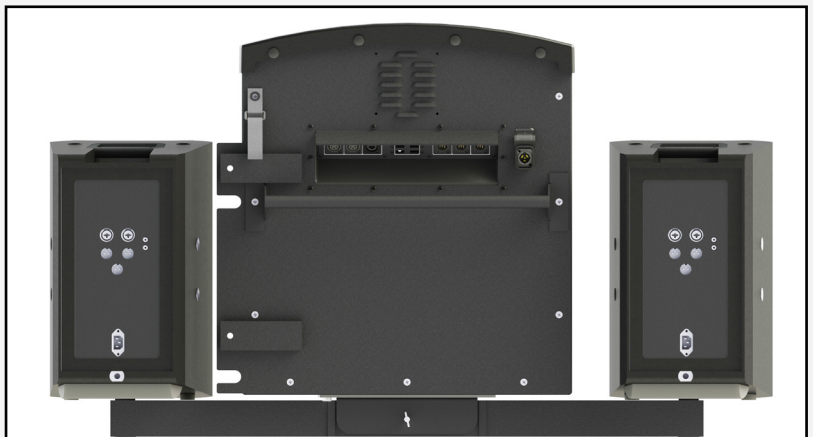


Figure 5: Speakers Placed Atop Mounting Bracket



## 4 Connect the audio cables.

Connect the 6-pin ends of the two audio cables to the “LEFT” and “RIGHT” ports on the rear of the Control Unit. Then, connect the 3-pin ends to the “MIC/LINE IN A” ports on the rear of each speaker. (The audio cables are yellow in Figure 6.)

Verify that the speakers’ settings are as follows:

- Gain A: 0 dB
- Gain B: 0 dB

**Note:** See Step 8 on the following page to connect an optional Tempest® FX system.

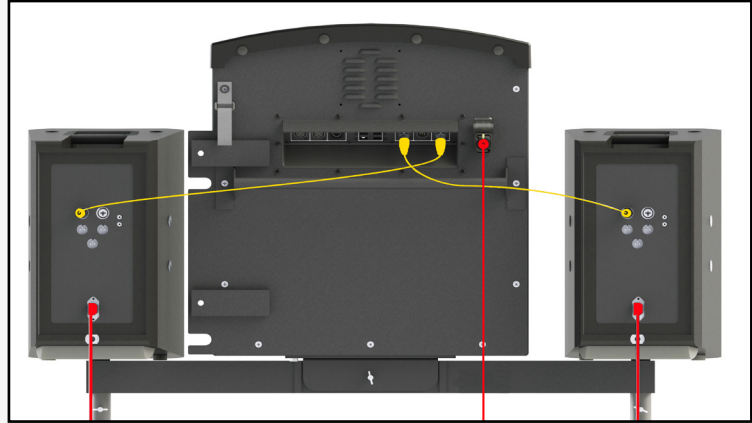


Figure 6: Tempo Go Audio Cables (Yellow) and Power Cables (Red)

## 5 Power your equipment.

Connect the Control Unit’s power cable and the two speakers’ power cables into a power strip. (The power cables are red in Figure 6). Then, connect the power strip (via extension cord if necessary) to a 120 Volt 15 Amp power source.

**Note:** If you are using an optional Tempest FX system with Tempo Go, CoachComm recommends that you power on your FX system before powering on your Tempo Go Control Unit and speakers. See Step 8 on the following page for more information about FX setup.

**CAUTION:** Protect the power cords from foot or vehicle traffic. Do not allow Tempo Go cords to become pinched or crimped, particularly where plugs enter power receptacles and/or where they exit from the unit.

## 6 Test your equipment.

Test your microphone, portable music player, and any other audio devices that are connected through the system.

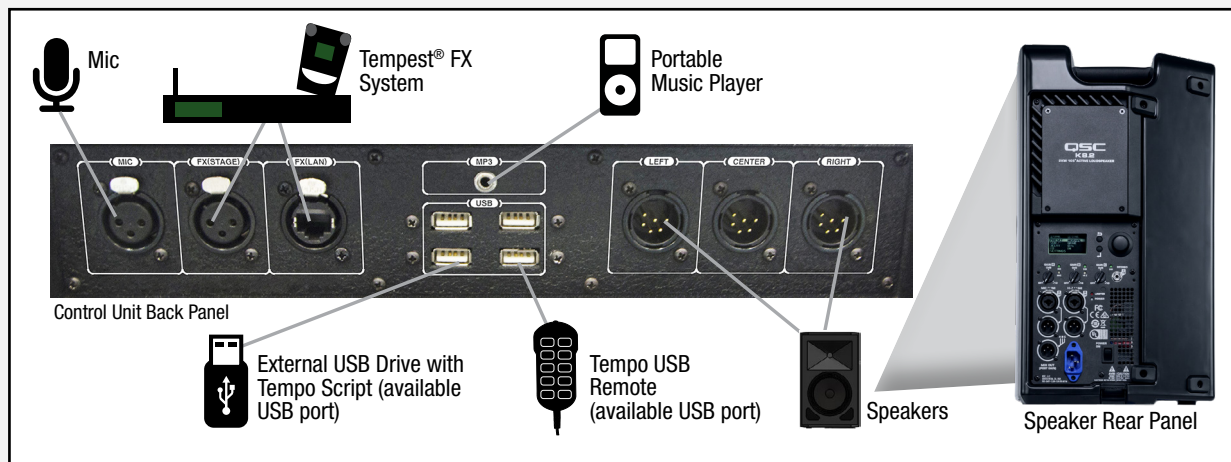


Figure 7: Control Unit Connections and Speaker Rear I/O Panel

## 7 Use your software.

Download the Tempo software on your PC to create a practice script. Save the script from your PC to a USB flash drive. (For more information on creating and exporting a script, refer to the *Tempo Go Operating Manual*.)

When prompted, place the USB flash drive in an available Control Unit USB port. The system will automatically open the script and pause it. A flashing “P” will appear on the clock display.

Control practice by using the Tempo Remote. The remote plugs into any available USB port on the Control Unit. If applicable, you may also use the Tempest FX Commando-T controls.



Figure 8: Tempo Remote

- **-1:00, +1:00:** Subtracts or adds a minute to a period.
- **Shift + 25:** Starts 25 second clock.
- **Shift + 40:** Starts 40 second clock.
- **Volume:** Decreases or increases volume.
- **Shift + 1–7:** Plays sound assigned to the selected one-touch number.
- **Skip Song:** Forwards to next song.
- **Restart Period:** Restarts current period.
- **Previous Period:** Returns to beginning of previous period.
- **Next Period:** Starts next period.
- **Shift:** Changes remote functions when pressed and used in combination with another button.
- **Pause Practice:** Toggles between pause and start/continue practice.
- **Power Off:** Press and hold top four buttons to turn off Control Unit.

## 8 Use your Tempest® FX (optional).

You must have the most recent Tempest firmware before using Tempest FX with your Tempo Go system. A CoachComm technician will assist in upgrading your existing Tempest FX system. To connect the Tempest FX BaseStation to Tempo Go:

8a. Place your BaseStation unit on a secure flat surface on the sideline.

8b. Connect a LAN network cable between the BaseStation and Tempo Go Control Unit.

8c. Connect a Stage Announce XLR cable between the BaseStation and Tempo Go Control Unit.

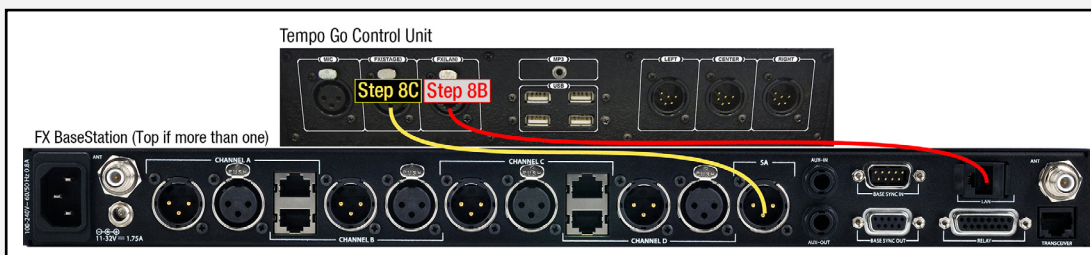


Figure 9: Tempest FX BaseStation Cables to Tempo Go Control Unit

8d. Follow the Tempest FX setup instructions in the *Tempest FX User Manual* ([www.coachcomm.com/tempest-fx-support/](http://www.coachcomm.com/tempest-fx-support/)) to connect and mount your Remote Transceiver and to connect power. It is recommended that you power on your FX system before powering on your Tempo Go Control Unit and speakers.

8e. Test your FX System’s connectivity via the Commando-T remote to verify that it is controlling Tempo Go (for example, press a one-touch sound button). Refer to the *Tempo Go Operating Manual* for more information, or contact CoachComm Customer Support for assistance.